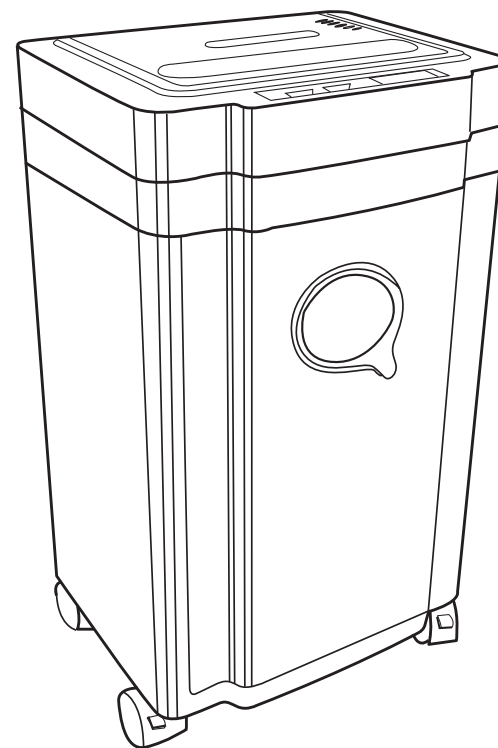


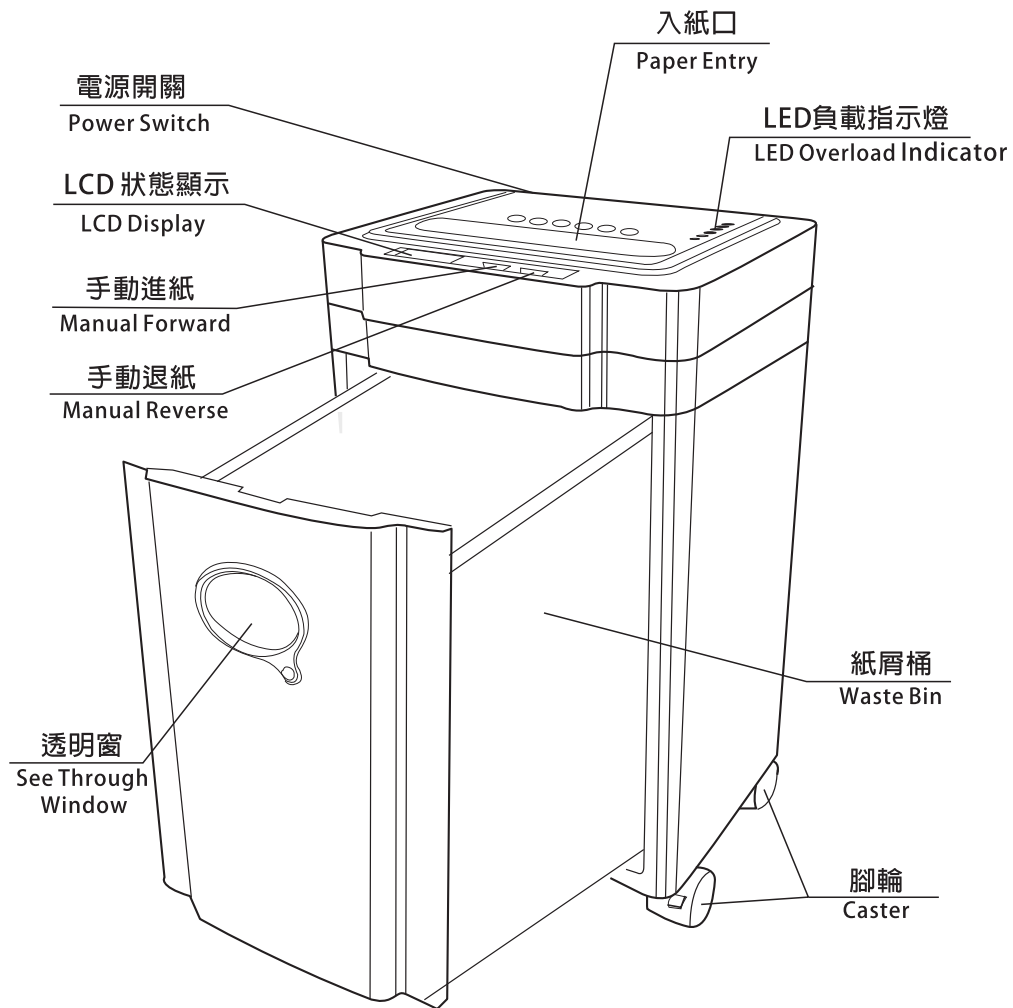
PaperSAFE *sysform*

碎紙機使用說明書

2320



產品外形結構及名稱



NOTES

- Never insert fingers, hair, tie, clothes, metal slice and plastic film etc. into the paper insert scoop.
- This paper shredder should never be placed near water or heat source, and avoid direct sunlight.
- Do not use in the vicinity of inflammable liquids or gases and corrosive materials.
- Turn paper shredder off before cleaning the cover. Clean with a cloth using mild soap and water solution, the use of abrasives, petroleum ether, benzene or diluting agent is prohibited.
- Do not attempt to repair this paper shredder yourself. Please ask for customer service.

TROUBLE SHOOTING

TROUBLE	TROUBLE ANALYSIS	TROUBLESHOOTING
SHREDDER NO RUNNING	Plug disconnect, no power	Connect the plug
	Lower voltage	Provide the rated power
	If not put the shredded material container into the scheduled position, no power	Push the container into scheduled position
	Automatically stop running to prevent motor from over heating	Refer to No.5 of Operation Instruction in this manual
	Paper is too transparent	Add thicker paper or fold paper
	Full alert no relieving	Empty shredded
	Overload not relieve	Refer to No.3 of Operation Instruction in this manual
TURN IN BLOCKED	Jammed paper	Refer to No.3 of Operation Instruction in this manual
CONSTANTLY RUNNING	Particles at the paper feed opening	Clean up
NOISE LOUD	Floor is hollow or machine not located steadily.	Adjust location
NO ALERTING WHEN FULLY LOADED	Beam inductive covered by dust.	Unplug the mains plug, Pull out the container, clean the beam inductive at bottom of the head with cloth.

目 錄

產品外形結構及名稱	1
警告	3
操作指示	4
使用說明	4
機器參數	4
注意事項	5
常見故障分析與排除	5

警告



禁止14歲以下兒童使用



留長髮的使用者請注意



請小心領帶捲入機器內



禁止將手伸入機器內



佩戴手鍊的使用者請注意



請不要碎磁片



每次最大碎紙量不得超過機器限定張數
一次碎過多紙張會導致碎紙機刀具的損壞



每次只能碎一張CD，一次碎過多光碟會導致碎紙機刀具的損壞



碎紙機的入紙口為230mm，建議不要用過寬的紙張去碎

注意！重要文件資料被銷毀前，請仔細確認。

USE AND CAUTIONS

- Please confirm the power cord, voltage and power whether come up to the standard of the product requirement or not before using.
- TURN ON :
 - (1) Connect the plug (Please use the corresponding power outlet).
 - (2) Waste bin into the machine.
 - (3) Turn on the power switch, LCD display "READY" indicates machine on working.
- TURN OFF : Push down the power switch again, the power light is put out.
- Please pull out the plug from the power source when you are not using it for a long time.

OPERATION INSTRUCTION

- The rated shredder capacity of this machine is A4(70g/m²). The specification of paper shredding capacity will be showed on the cover.
- During the normal shredding, if you want to reverse the paper, push down the reverse button, the shredder will stop working and reverse the paper. Pull out the paper and the shredder return to stand by.
- When papers are fed too much, LCD displays "OVER LOAD". The machine will stop automatically and reverse or stop shredding and need to be reversed manually. Reduce the paper number and insert again, machine will run.
- When the waste bin is full , LCD displays "Paper FULL", and LED warning light -BIN FULL- shows orange light.
- When the shredder is running for a long time and overheated, LCD displays "Overheat Wait ...". Stop the machine for at least about 25 minutes.

MACHINE PARAMETERS

	A4 70g/m ²	(mm)				
2320	20	3.9x40	✓	✓		35min



WARNING



Not allowed for children under 14.



Keep long hair clear of machine



Keep neck-ties clear of machine



Interference Prohibited



Keep bracelets clear of machine



Do not insert diskettes!



The maximum shredding paper must not exceed the limit number of sheets.
Excessive sheets of paper can result in jamming and damage of cutters.



It can only shred one CD each time.
Excessive CD can result in jamming and damage of cutters.



The paper inlet is designed to accept paper widths up to 230mm(or other size). Do not try to shred paper wider than this.

操作指示

- 使用前請確認供電電壓是否與本機額定電壓要求一致。
- 開機：
 - (1) 插上電源插頭(請使用相對應規格的插座)。
 - (2) 紙屑桶推入機內。
 - (3) 打開電源開關。螢幕顯示"READY"，機器已進入待機狀態。
- 關機：關閉電源開關。
- 長時間不使用時請拔下電源插頭。

使用說明

- 本機額定碎紙規格為A4紙(70g/m²)，具體碎紙張數見機蓋警告標貼處。
- 在正常碎紙過程中，若需要撤回紙張，按手動退紙按鈕，機器停止進紙並退紙。取出紙張，機器恢復到待機狀態。
- 進紙過量時，螢幕會顯示"OVER LOAD"，機器自動停機並反轉退紙或停止退紙並需要進行手動退紙，取出紙張後，減少進紙張數，重新放入。
- 當碎紙機紙屑桶過滿時，螢幕會顯示"Paper FULL"，且LED警示燈處 - BIN FULL- 會亮橘燈。
- 當碎紙機長時間運轉產生過熱時，螢幕會顯示"Overheat Wait..."，請將機器靜止冷卻至少約25分鐘以上。

規格參數

	A4 70g/m ²					
2320	20	3.9x40	✓	✓		35min

*技術資料若更改恕不另行通知

Precaution! Checking it carefully before you shred the important files.

注意事項

- 勿將手指、頭髮、領帶、衣服、金屬及塑料薄膜等捲入進紙口。
- 勿將機器放置於靠近熱源或潮濕環境，以及避免陽光直接照射。
- 勿在易燃液體或氣體、腐蝕材料附近使用機器。
- 清潔機器外殼時，請先切斷電源。使用軟布沾上軟性肥皂水或清潔劑輕擦，不可使用汽油、苯類、稀釋劑等有機溶劑。
- 發現機器故障請通知專業人員進行維修，勿擅自拆開機器。
- 為了您和他人的安全，取出紙屑桶前，建議關閉電源開關。
- 如果電源線損壞，為了避免危險，必須由經銷商或製造商其維修部類似部門專業人員更換。

常見故障分析與排除

故障現象	故障原因分析	故障排除方法
機器無法運轉	電源插頭未接好，無電源	插好電源插頭
	供電電壓過低	提供額定工作電壓
	紙屑桶未推入預定位置，無電源	推入紙屑桶
	機器因長時間連續工作，電機過熱進入保護狀態	參照本說明書 使用說明第五條
	紙張太透明	附加一張不透明紙或 將透明紙多次折疊
	滿紙警示未解除	清倒紙屑
	過載負荷未解除	參照本說明書 使用說明第三條
機器堵轉	卡紙	參照本說明書 使用說明第三條
機器轉動不停	進紙口偵測電眼處有紙屑 和其它異物	清除乾淨
機器噪音大	地板中空或機器未放平穩	調整機器放位
垃圾桶滿紙無警告	機頭底部偵測電眼處 被灰塵遮住	拔除電源插頭，拉出 紙屑桶，用布輕輕將 機頭底部偵測電眼處 擦乾淨。

CONTENT

Product appearance	1
Warnings	7
Use and cautions	8
Operation instruction	8
Machine parameters	8
Notes	9
Trouble shooting	9